

# SECTION CORNER RECORD

NW 600-000

## BOONE COUNTY SURVEYOR'S OFFICE

State Plane grid coordinates NAD83 (2011):

North: 1777284.21 East: 3124807.27 (U.S. survey feet)

Type of monument: INDOT Type B, plug in monument box

Depth: Flush with adjacent road surface

Indiana tie card references:

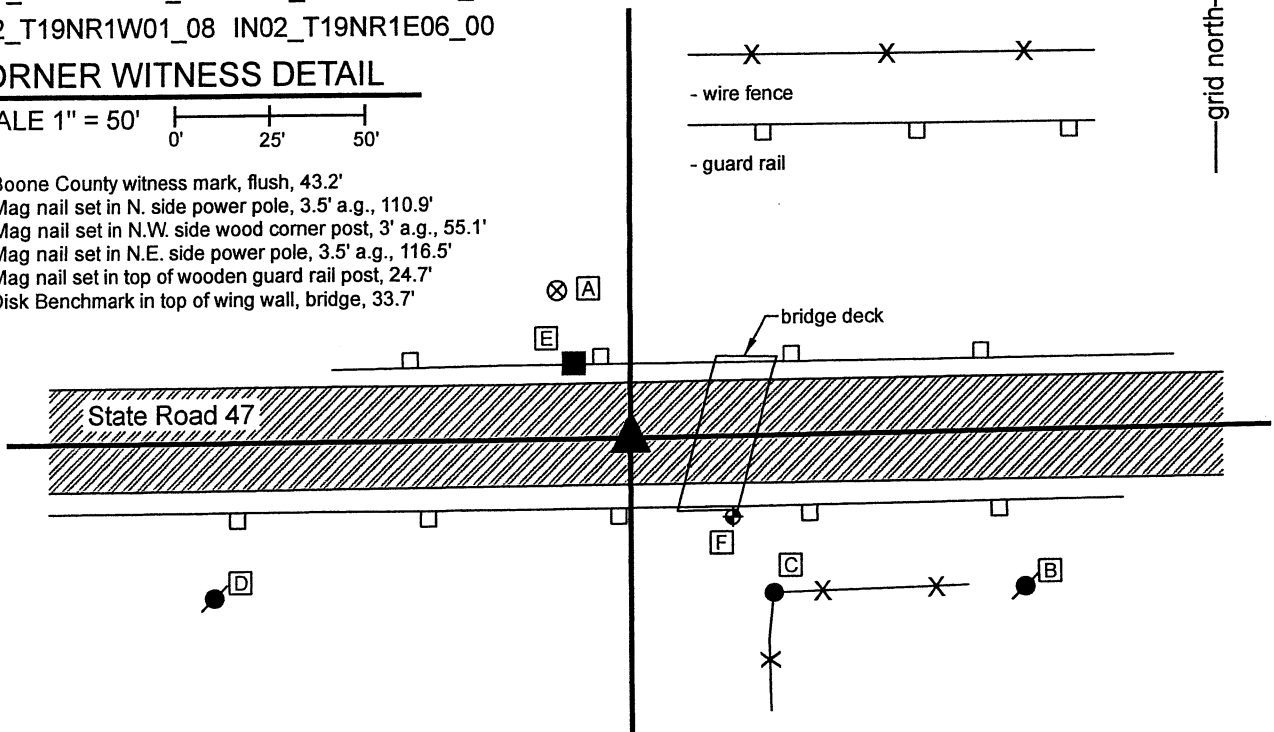
IN02\_T20NR1E31\_72 IN02\_T20NR1W36\_80

IN02\_T19NR1W01\_08 IN02\_T19NR1E06\_00

### CORNER WITNESS DETAIL

SCALE 1" = 50'

- A - Boone County witness mark, flush, 43.2'
- B - Mag nail set in N. side power pole, 3.5' a.g., 110.9'
- C - Mag nail set in N.W. side wood corner post, 3' a.g., 55.1'
- B - Mag nail set in N.E. side power pole, 3.5' a.g., 116.5'
- E - Mag nail set in top of wooden guard rail post, 24.7'
- F - Disk Benchmark in top of wing wall, bridge, 33.7'



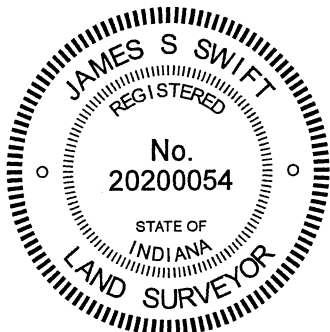
The INDOT Type B monument was found in place.

A BCS record of November 10, 1887 shown in the records of Section 36, Township 20 North, Range 1 West states, with respect to this corner, "Drove stake in road at corner, 36 1/2 links north of corner."

A BCS tie card dated 2004 shows the corner as a P.K. Nail with washers. A subsequent BCS tie card, dated June 22, 2005, shows the corner as a Type "C" Monument in the same position as the nail shown on the previous tie card.

The monument found, being an INDOT Type 'B' monument, appears to be the same monument, in the same position, as those shown on the 2005 tie cards. This corner falls amidst an area of fill immediately west of a bridge under State Road 47. The only local evidence of the corner is the east-west state road. The position of the corner fits well with the relative positions of proximate corners to the east and west.

No excavation was performed at this corner, as it falls in a state highway and is an area of fill. The existing monument is held as the best available evidence of the respective corner. This township corner was originally established as a wood post in 1819.



*Kenneth E. Hedge*  
 Kenneth E. Hedge, County Surveyor

*James S. Swift*  
 James S. Swift, IN LS 20200054  
 January 26, 2021

Washington Township      Clinton Township

Section 36 T20N, R1W	Section 31 T20N, R1E
Section 1 T19N, R1W	Section 6 T19N, R1E

# SECTION CORNER RECORD

NW 600-100

## BOONE COUNTY SURVEYOR'S OFFICE

State Plane grid coordinates NAD83 (2011):

Corner 1: North: 1777272.78 East: 3119542.02 (U.S. survey feet)

Corner 2: North: 1777272.76 East: 3119487.85 (U.S. survey feet)

Type of monument: INDOT Type B, plug in monument box

Depth: flush with adjacent road surface

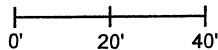
Indiana tie card references:

IN02\_T20NR1W35\_80 IN02\_T20NR1W36\_72

IN02\_T19NR1W05\_08 IN02\_T19NR1W06\_00

### CORNER WITNESS DETAIL

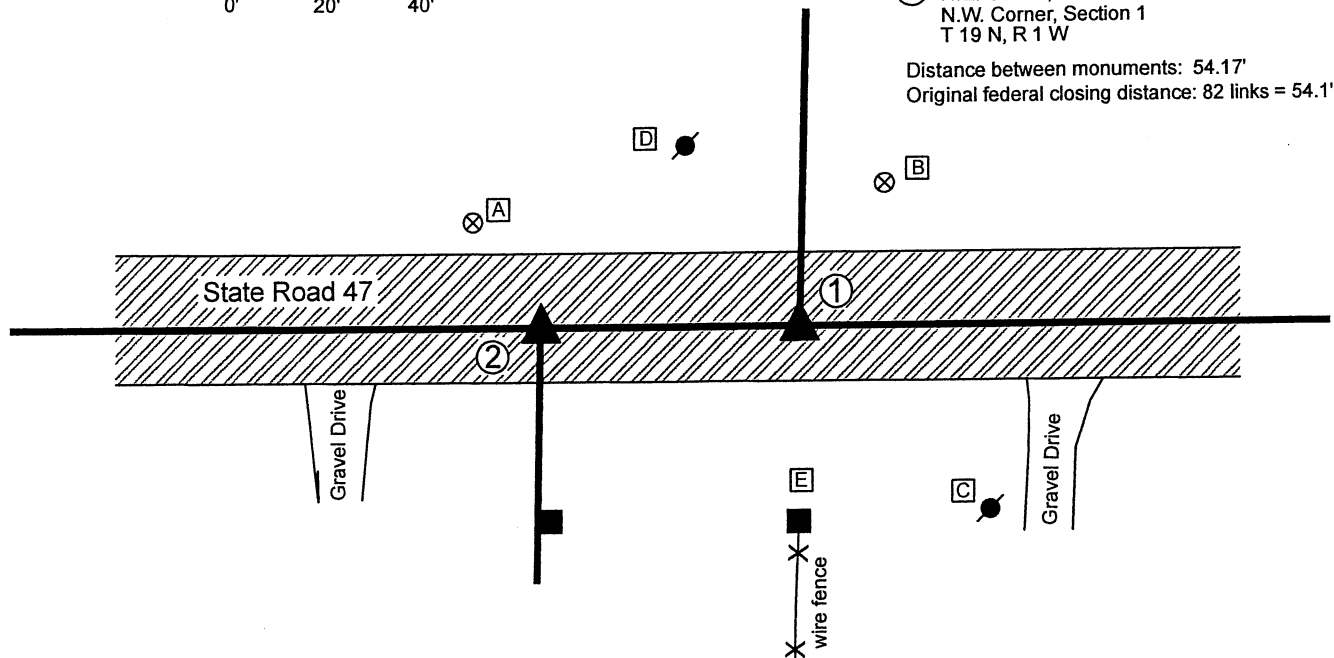
SCALE 1" = 40'



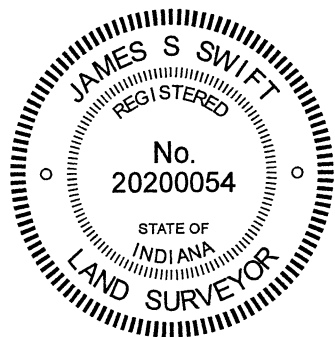
- A - Boone County witness mark, flush, 72.1' to Corner 1, 26.3' to Corner 2
- B - Boone County witness mark, flush, 34.6' to Corner 1, 77.9' to Corner 2
- C - Mag nail set in N. side power pole, 2' a.g., 55.3' to Corner 1, 101.6' to Corner 2
- D - Mag nail set in S. side power pole, 3' a.g., 44.5' to Corner 1, 48.3' to Corner 2
- E - Top, center of wood corner post 40.5' to Corner 1, 67.6' to Corner 2

- ① S.E. Corner, Section 35  
S.W. Corner, Section 36  
T 20 N, R 1 W
- ② N.E. Corner, Section 2  
N.W. Corner, Section 1  
T 19 N, R 1 W

Distance between monuments: 54.17'  
Original federal closing distance: 82 links = 54.1'



The INDOT Type B monuments were found in place. A BCS record of February 16, 1855 states, with respect to Corner 1, "Relocated. Set Stone. No Tree." Another BCS record of the same date states, with respect to Corner 2, "Stone marked S1,2." A BCS tie card dated June 22, 2005 shows both corners as P.K. Nails with washers. A Surveyor's Report for INDOT, recorded as Instrument 200700000086 in the Office of the Boone County Recorder, shows both corners as INDOT Type B Monuments and states that the monument at Corner 1 was set in place of a P.K. Nail with washer and Corner 2 was set in place of a Mag Nail, with references to INDOT plat RS-28322 (SR47). The monuments found appear to be the same monuments, in the same positions, as those shown on the 2007 INDOT report. The separation of the monuments is within 0.1 of a foot of the federal closing distance reported for Corner 2 in 1822. The positions of the corners fit reasonably well with the relative positions of proximate corners to the east and west. No excavation was performed at these corners, as they fall in a state highway. The existing monuments are held as the best available evidence of the respective corners. Corner 1 was originally set as a wood post in 1819. Corner 2 is not an original federal corner.



*Kenneth E. Hedge*  
Kenneth E. Hedge, County Surveyor

*James S. Swift*  
James S. Swift, IN LS 20200054  
January 26, 2021

Washington Township

Section 35 T20N, R1W	Section 36 T20N, R1W
Section 2 T19N, R1W	Section 1 T19N, R1W